
Wireless 3-Phase Current Meter

Wireless 3-Phase Current Meter R718N37 Data Sheet

Wireless Sensor Network Based on LoRa Technology



R718N37

Copyright©Netvox Technology Co., Ltd.

This document contains proprietary technical information which is the property of NETVOX Technology. It shall be maintained in strict confidence and shall not be disclosed to other parties, in whole or in part, without written permission of NETVOX Technology.

The specifications are subject to change without prior notice.



 LoRa Alliance Member™  zigbee alliance member

Wireless 3-Phase Current Meter

General Description

The NETVOX wireless three-phase current detector is used to detect three-phase electrical input current. The device is compatible with the LoRaWAN protocol, and integrates a chip module that conforms to the LoRaWAN wireless protocol to display the collected data in the gateway.

The device is powered by battery and obtains the load AC current value through the current transformer. The device adopts the split-core current transformer, which can be conveniently connected to the measuring device.

Main Characteristic

- Adopt SX1276 wireless communication module
- 2 ER14505 battery AA SIZE (3.6V / section) parallel power supply
- Protection class IP65
- The base is attached with a magnet that can be attached to a ferrous object

Example Applications

- Smart current detection equipment in the city such as home or business
- Thermal system equipment

Features of NETVOX Sensors

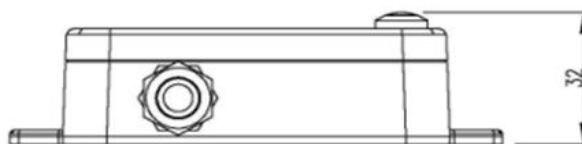
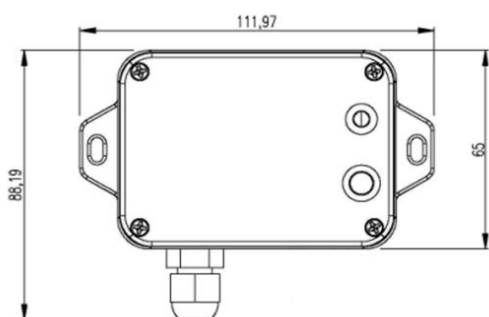
- LoRaWAN™ Class A compatible
- Frequency Hopping Spread Spectrum (FHSS)
- Improved interference immunity
- Improved power management for longer battery life
- Encrypt-RF™ Security (Diffie-Hellman Key Exchange + AES-128 CBC for sensor data messages)
- Battery Life*2:
 - Please refer to web: http://www.netvox.com.tw/electric/electric_calc.html
 - At this website, users can find battery life time for varier models at different configurations.
- Over-the-air updates (future)
- Third-Party online wireless sensor monitoring and notification system to configure sensors, view data and set alerts via SMS text and email (optional)
- Available third-party platform: Actility/ThingPark, TTN, MyDevices/Cayenne
- R718X series carry magnets which can be attached to ferromagnetic materials and objects

*1. Actual range may vary depending on environment.

*2. Battery life is determined by sensor reporting frequency and other variables

Wireless 3-Phase Current Meter

Technical Specifications (Main Part)



(Uni. mm)

Electric

Input Power	2 x 3.6V ER14505 AA lithium batteries (3.6V2400mah/section)
Sleeping Current	25uA
Wake up Current	7mA
Receiving Current (max)	11mA @3.3V
Transmitting Current (max)	127mA/3.3V
Battery Voltage Measurement Accuracy	±0.1V
Low Voltage Threshold	3.2V
Current Measurement Accuracy	<+-1%
Current measurement Accuracy Range	1A~75A (depending on the current transformer configuration)

Frequency

* Specific electrical characteristics may vary depending on the power supply voltage.

TX Power	19dBm±1dBm
Rx Sensitivity	-136dBm (LoRa, Spreading Factor=12, Bit Rate=293bps) -121dBm (FSK,Frequency deviation=5kHz, Bit Rate=1.2kbps)
Antenna Type	Build-in antenna
Communication Range	5 km (line-of-sight, the actual transmission distance depends on the environment)
Data Transfer Rate	0.3kbps~50kbps
Spread Technique	LoRa/FSK
Available Frequency	EU863-870, US902-928, AU915-928, KR920-923, AS923, CN470-510 Configured before shipment

Wireless 3-Phase Current Meter

Current Transformer

Rated input current	30A, 50Hz~60Hz
Rated output current	10mA
Saturation Current	≥75A
Ratio	3000:1
Load Resistance	10 Ω
Accuracy Level	1%
Isolation withstand voltage	3000V
Housing Material	Flame Retardant Grade 94-V0 UL Material
Environmentally friendly	In line with ROHS
Working temperature	-40° C~+85° C

Physical

Dimension	Main Part: L: 112mm*W: 65mm*H: 32mm
Weight	141g
Environment Temperature Range	-20°C ~ 55°C
Environment Humidity Range	<90% RH (No condensation)
Storage Temperature Range	-40° C~+85° C

Contact:
NETVOX TECHNOLOGY CO., LTD.

TEL: 886-6-2617641
FAX: 886-6-2656120
E-mail: sales@netvox.com.tw
WEB: www.netvox.com.tw

NETVOX TECHNOLOGY CO., LTD (XIAMEN)

TEL: 86-592-5717188
FAX: 86-592-5717180
E-mail: dyx@netvox.com.cn
WEB: www.netvox.com.cn




LoRa Alliance Member™ **zigbee alliance member**