
Wireless Toilet Occupancy Sensor

Wireless Toilet Occupancy Sensor R718PQA Data Sheet

Wireless Sensor Network Based on LoRa Technology



R718PQA

Copyright©Netvox Technology Co., Ltd.

This document contains proprietary technical information which is the property of NETVOX Technology. It shall be maintained in strict confidence and shall not be disclosed to other parties, in whole or in part, without written permission of NETVOX Technology.

The specifications are subject to change without prior notice.

Wireless Toilet Occupancy Sensor

General Description

The R718PQA is a wireless communication device that detects toilet occupancy. The device is equipped with a reed switch sensor for detecting the switch status of the door; a built-in PIR sensor (pyroelectric human body infrared sensor) to detect whether someone is in the toilet. Two detections are established at the same time to determine if the toilet is occupied. Through the wireless network, the detected data is transmitted to other devices for display, which uses the SX1276 wireless communication module.

Features of NETVOX Sensors

- Compatible with LoRaWAN
- 2 ER14505 lithium batteries (3.6V / section) parallel power supply
- Detectable occupancy status
- Simple operation and setting
- Protection class IP65
- Compatible with LoRaWANTM Class A
- Frequency hopping spread spectrum
- Configuration parameters can be configured via a third-party software platform, data can be read and alerts can be set via SMS text and email (optional)
- Applicable to third-party platforms: Actility/ThingPark, TTN, MyDevices/Cayenne
- Low power consumption and long battery life

Note*: Battery life is determined by the sensor reporting frequency and other variables, please refer to http://www.netvox.com.tw/electric/electric_calc.html

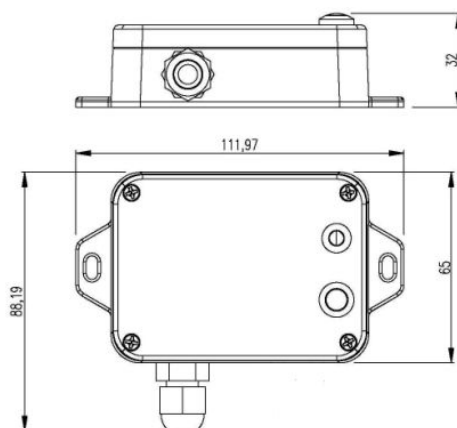
On this website, users can find battery life of various models in different configurations.

Example Application

- Detect Occupancy Status
- Others

Wireless Toilet Occupancy Sensor

Technical Specifications



Main Part (Unit. mm)

Electric

| | |
|----------------------------|---|
| Input Power | 2 x 3.6V ER14505 AA lithium batteries (3.6V, 2400mah/section) |
| Life Time | Battery life are 4.5 years (condition: ambient temperature 25 ° C, report every 15 mins, txpower = 20 dBm, LoRa spreading factor SF = 10) |
| Sleeping Mode | 34uA |
| Wake up Mode | 6.3mA@3.3V |
| Low Voltage Threshold | 3.2V |
| Receiving Current (max) | 11mA @3.3V |
| Transmitting Current (max) | 120mA/3.3V |

* Specific electrical characteristics may vary depending on the power supply voltage.

PIR Sensor

| | |
|-------------------|-------|
| Power Supply | +3VDC |
| Measurement Range | 5M |

* When using a PIR sensor, pay attention to the general items:

When a heat source other than the human body is detected, the false trigger may occur as follows:

- (1) When small animals enter the detection range.
- (2) Far-infrared from sunlight, car headlights, incandescent lamps, etc. to irradiate the sensor directly.

Wireless Toilet Occupancy Sensor

(3) When the temperature of the detection range changes drastically due to the warm air of the cold greenhouse equipment, the cold air, and the water vapor of the humidifier.

It is difficult to trigger the PIR sensor as follows:

(1) There are substances such as glass and acrylic which are difficult to transmit far infrared rays between the sensor and the detection object. (2) The heat source in the detection range hardly moves, or moves at high speed.

Frequency

| | |
|---------------------|--|
| TX Power | 19dBm±1dBm |
| Rx Sensitivity | -136dBm (LoRa, Spreading Factor=12, Bit Rate=293bps) -121dBm (FSK, Frequency deviation=5kHz, Bit Rate=1.2kbps) |
| Antenna Type | Build-in antenna |
| Communication Range | Up to 10 km, the actual transmission distance depends on the environment. |
| Data Transfer Rate | 0.3kbps~50kbps |
| Spread Technique | LoRa/FSK |
| Available Frequency | EU863-870, US902-928, AU915-928, KR920-923, AS923, CN470-510 Configured before shipment |

Physical

| | |
|-------------------------------|----------------------------------|
| Dimension | Main Part: 112mm x88.19mm x 32mm |
| Weight | 150g |
| Environment Temperature Range | -20℃ ~ 55℃ |
| Environment Humidity Range | <90% RH (No condensation) |
| Storage Temperature | -40℃ ~ 85℃ |

Contact:

NETVOX TECHNOLOGY CO., LTD.

TEL: 886-6-2617641

FAX: 886-6-2656120

E-mail: sales@netvox.com.tw

WEB: www.netvox.com.tw

NETVOX TECHNOLOGY CO., LTD (XIAMEN)

TEL: 86-592-5717188

FAX: 86-592-5717180

E-mail: dyx@netvox.com.cn

WEB: www.netvox.com.cn